



S H O W E R D R A I N A G E



Wiper shower drain channels are a modern architectural solution for shower cabin drainage. As an alternative to the classic shower tray, Wiper shower drains allow you to be flexible with the shape and size of your shower area. They are designed to be used in conjunction with floor finishes commonly found in bathrooms such as ceramic tiles and granite.

The application of a linear channel eliminates the traditional step into the shower allowing you to walk straight in. From the technical point of view, only a gentle slope is required for effortless drainage.

Our channels come with a choice of four grating designs plus a fifth option which allows you to fully integrate the channel by inserting into the grating materials to match the shower floor.

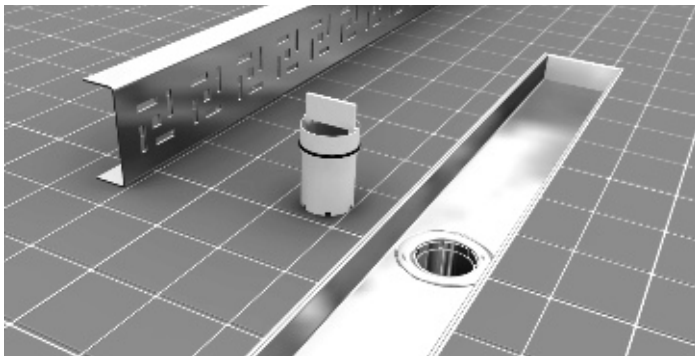
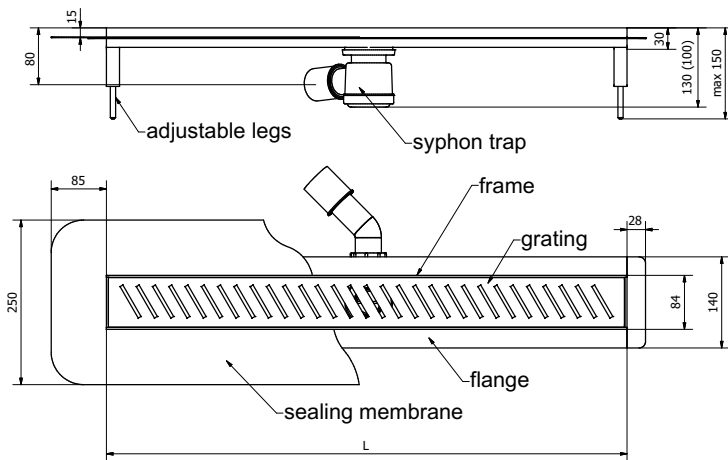
The channel is made completely of stainless steel which guarantees this product from corrosion and provides beautiful clean surfaces.

Wiper Premium linear shower drains incorporate a flange surrounding the channel and come complete with a sealing membrane which means watertight installation. The inclusion of adjustable legs makes the channel very easy to install. The channel is complemented by a high quality poly propylene syphon trap with removeable sleeve for easy cleaning.

As manufacturers we are also able to produce shower drains to suit your individual requirements. For special orders we can produce channels in longer lengths and in different forms (eg. 'L'-shaped channels). We can also manufacture gratings with different patterns. Longer channels can also be produced to allow higher drainage capacity.



- height of channel: 3cm
- height of channel with syphon trap: 13cm (10cm – small syphon)
- width of channel: 8,5cm
- standard lengths: 70, 80, 90, 100, 110, 120cm
- type of surface finish: mirror, matt, brushed



wiper



2010 FRAKTAL - biuro@fraktal.pl

www.wiper.pl

wiper

2010 FRAKTAL - biuro@fraktal.pl

www.wiper.pl

MISTRAL



wiper



2010 FRAKTAL - biuro@fraktal.pl

www.wiper.pl

wiper

2010 FRAKTAL - biuro@fraktal.pl

www.wiper.pl

SIROCCO



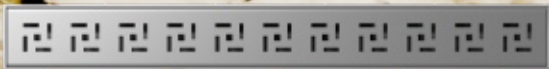




2010 FRAKTAL - biurc@fraktal.pl

www.wiper.pl

TIVANO



wiper

2010 FRAKTAL - biuro@fraktal.pl

www.wiper.pl

wiper

2010 FRAKTAL - biuro@fraktal.pl

www.wiper.pl

PURE





SHOWER DRAINAGE

Wiper Sp. z o. o

43-190 Mikołów
ul. Wyzwolenia 27

tel. (032) 738 52 55

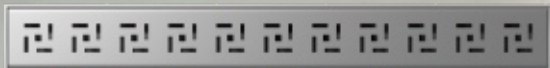
fax: (032) 738 50 00

e-mail: poczta@wiper.pl

PURE



TIVANO



SIROCCO



MISTRAL



ZONDA

